

20	• Stage Maps
19	• Rally Route by map reference
17	• Notes for Service Crews, Servicing & Service Areas
7	• Tulip Service Route and Service Area Maps
6	• Newtown Start Diagram
4	• Tulip Road Book Introduction
3	• Service Van Route Map
2	• Shrewsbury Map

Page

Contents

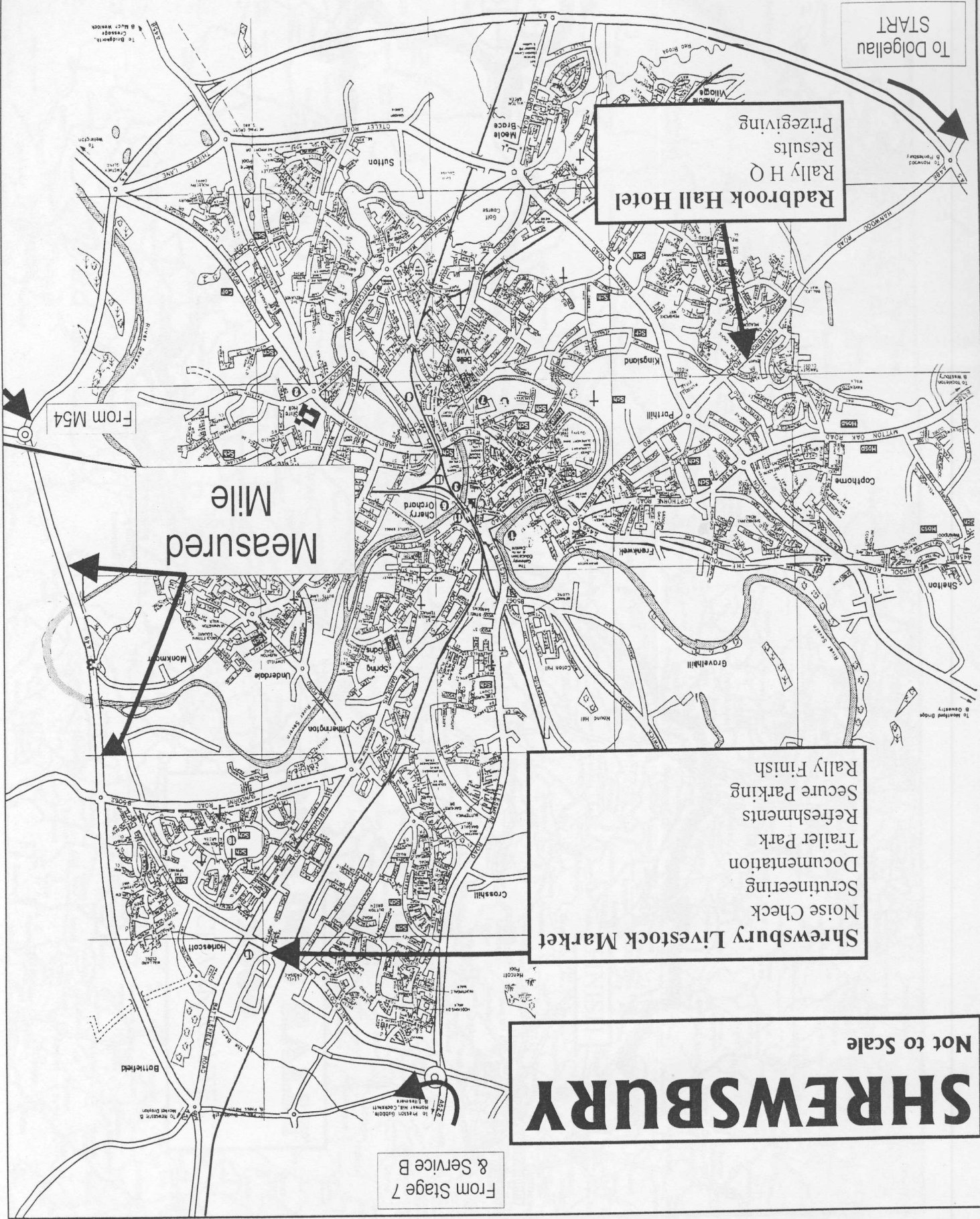
SERVICE PACK



**The Bulldog**  
Rally



# BULLDOG HISTORIC RALLY 2000



Radbrook Hall Hotel  
Rally H Q  
Results  
Prizegiving

Measured  
Mile

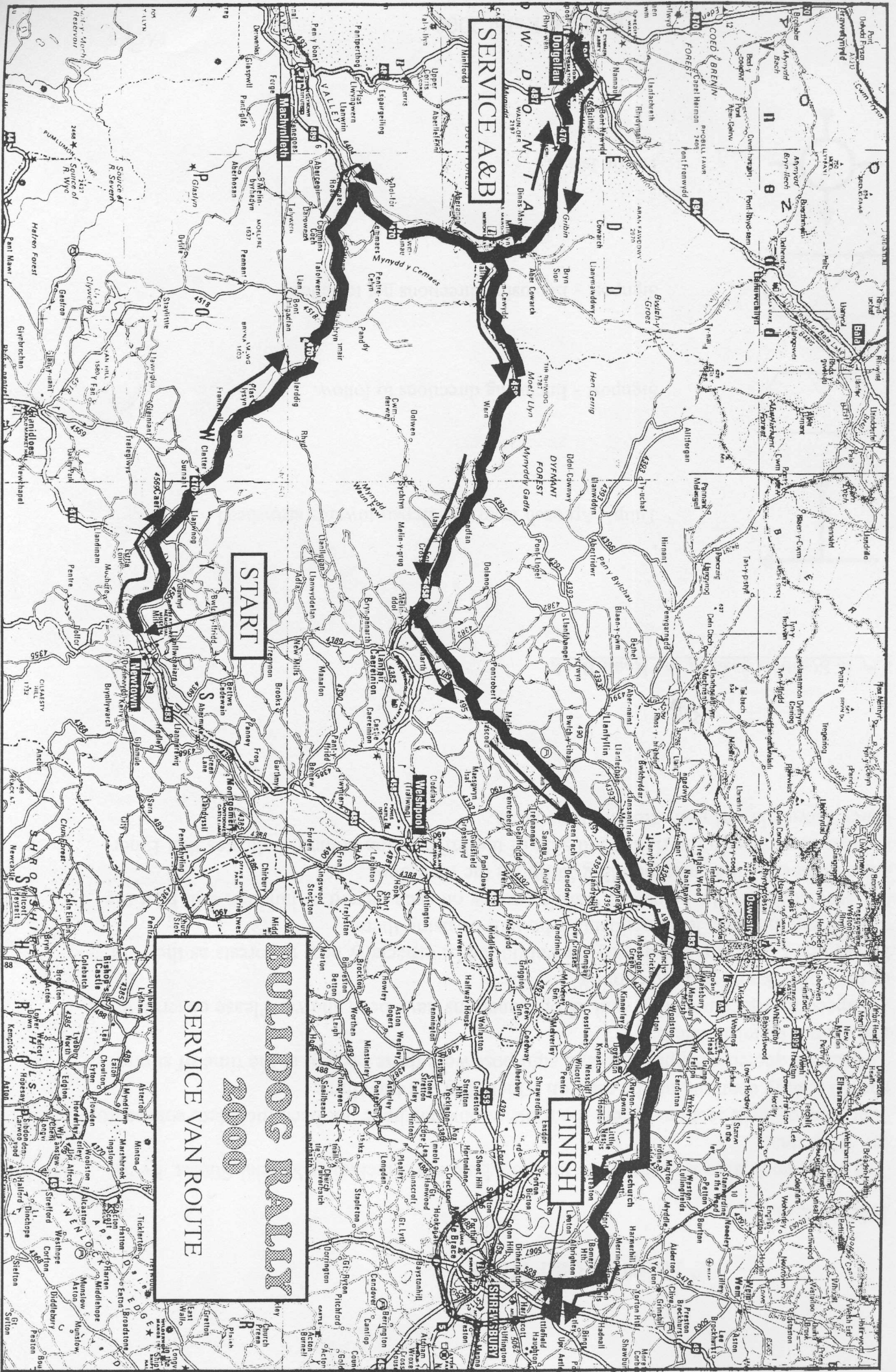
Shrewsbury Livestock Market  
Noise Check  
Scrutineering  
Documentation  
Trailer Park  
Refreshments  
Secure Parking  
Rally Finish

SHREWSBURY  
Not to Scale

From Stage 7  
& Service B

From M54





**SERVICE A&B**

**START**

**BULLDOG RALLY**  
**2000**  
**SERVICE VAN ROUTE**

**FINISH**

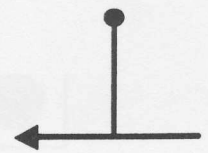
**SHREWSBURY**

## 'Tulip' Road Book

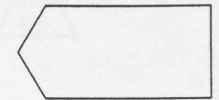
### Introduction

The Road book describes the route for the whole rally, including Special Stages, by 'tulip' diagrams. Junctions on road sections where the route is obvious have not been included, competitors should simply continue on the road on which they are travelling. The names quoted as appearing on a sign post were those present at the time of survey and cannot be guaranteed. All speed limits, 'Give Way' and 'Stop' junctions have been shown. Please observe them as the police know you are coming. Please drive carefully and quietly on Public roads, especially near to forests as they are narrow and there are local residents who will be using them. On Special Stages the advanced warning arrow on each hazard or junction will bear the same number as the corresponding 'tulip' in the road book. A thick black line in the right hand side of the Information column indicates that Emergency service is **not** permitted in these areas.

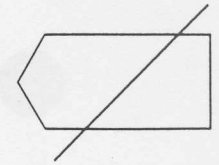
### Key to Symbols used in the Road Book



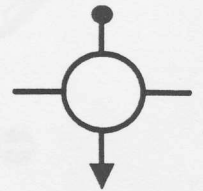
Tulip: Approach from dot. Depart towards arrowhead.



Signpost - Enclosing directions to follow.



Signpost - Enclosing directions not to follow.



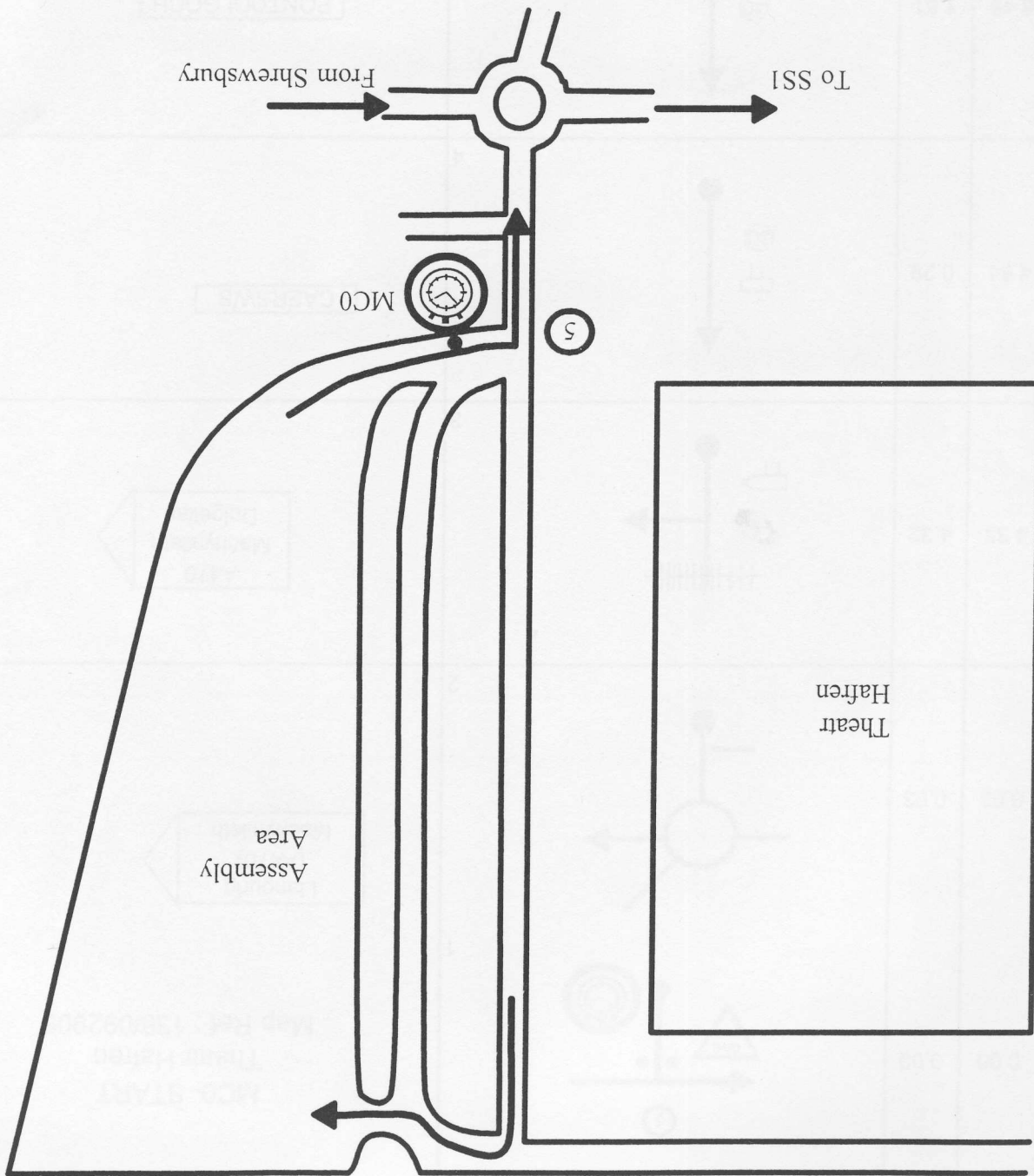
Traffic Island.



Key to Symbols used in the Road Book (Continued)

Service		Radio point	
Time Control		Doctor	
Passage Control		Traffic lights	
Stage start Control		Bridge	
Flying finish		Village or town	
Stage finish Control		House or building	
Care		Telephone kiosk	
Great Care		Speed limit in miles per hour	
Extreme Care		Give Way to main road	
Brow or crest		Stop at junction	
Two way rally traffic		No Entry	
		Petrol available	

Arrive at least 20 minutes before due start time.  
Map reference 136/092905



Newtown Start




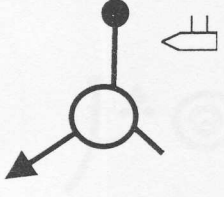

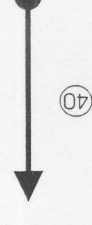


SERVICE VAN ROUTE

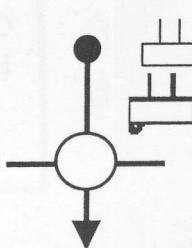




From : START NEWTOWN - MC 0

To : SERVICE A - DOLGELLAU - TC 2

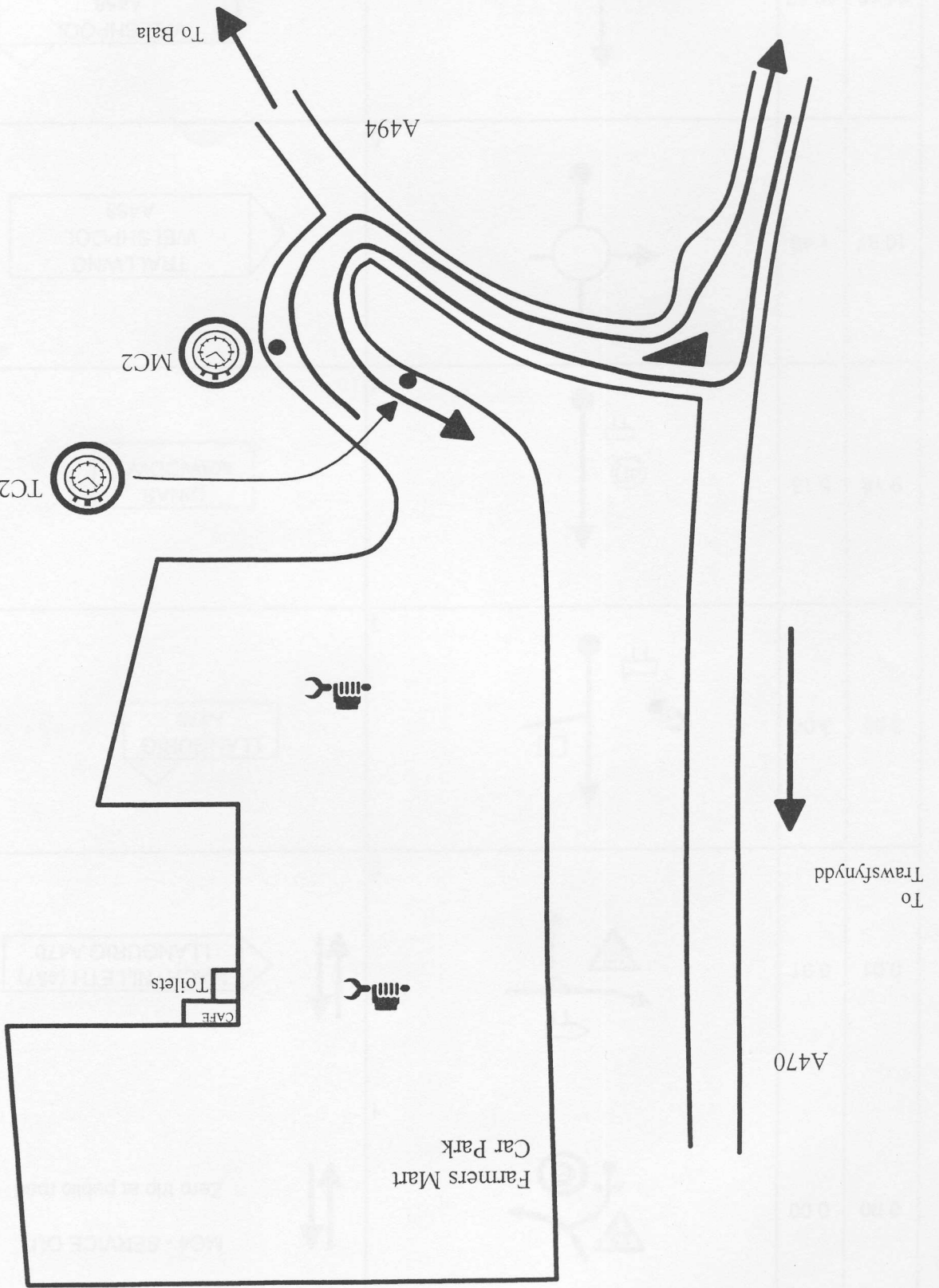
Distance		Description		Instruction	
Total	Inter				
0.00	0.00	1		<p>MC0- START Theatr Hafren Map Ref : 136/092905</p>	
0.03	0.03	2		<p>Langurig (A470) Machynlleth</p>	
4.35	4.32	3		<p>A470 Machynlleth Dolgellau</p>	
4.64	0.29	4		<p>CAERSWS</p>	
6.45	1.81	5		<p>PONTDOLGOCH</p>	
7.45	1.00	6		<p>CLATTER</p>	

From : START NEWTOWN - MC 0		To : SERVICE A - DOLGELLAU - TC 2	
Distance	Total	Inter	
		Description	Instruction
10.06	2.61		7 CARNO
15.97	5.91		8 LLANBRYNMAIR
21.39	5.42		9 CEMMAES ROAD
21.57	0.18		10 DOLGELLAU A470
23.02	1.45		11 CEMMAES
24.19	1.17		12 CWM LLINAU



Distance		Total Inter		Description	Instruction
From : START NEWTOWN - MC 0					
To : SERVICE A - DOLGELLAU - TC 2					
26.62	2.43				<div style="border: 1px solid black; padding: 2px; display: inline-block;">MALLWYD</div> <div style="border: 1px solid black; padding: 2px; display: inline-block; transform: rotate(180deg);">DOLGELLAU A470</div>
27.44	0.82				
37.25	9.81				<div style="border: 1px solid black; padding: 2px; display: inline-block;">BALA A494</div> 
37.35	0.10				Enter Service Area do not pass through control area.

Service area A - Dolgellau

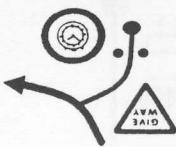
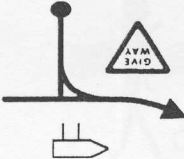
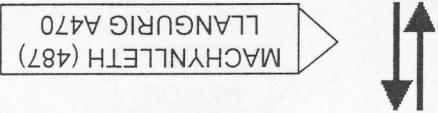
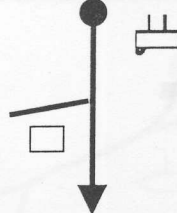
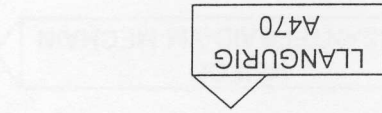
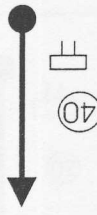

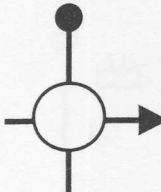
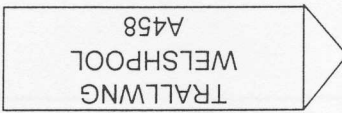
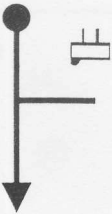
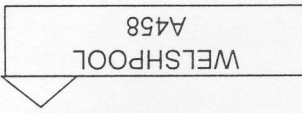




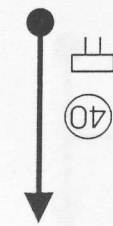
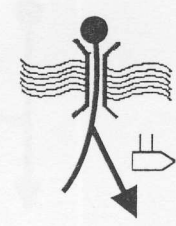
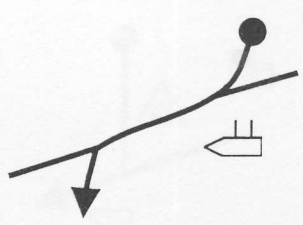
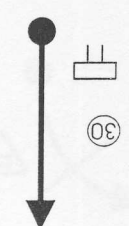
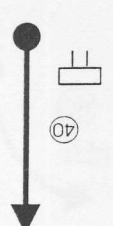
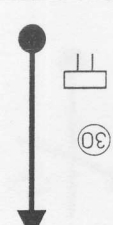
SERVICE VAN ROUTE

From : SERVICE B - DOLGELLAU - MC4

To : FINISH - SHREWSBURY LIVESTOCK MARKET

Distance		Description	Instruction
Total	Inter		
0.00	0.00		MC4 - SERVICE OUT Zero trip at public road
0.01	0.01		
3.05	3.04		
9.18	6.13		
10.67	1.49		
21.19	10.52		

From : SERVICE B - DOLGELLAU - MC4  
 To : FINISH - SHREWSBURY LIVESTOCK MARKET

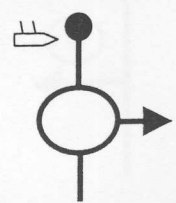
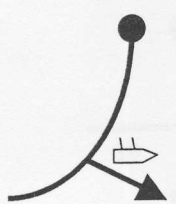
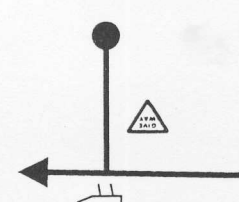
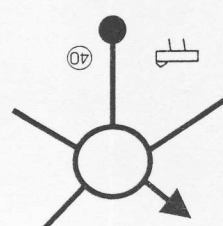
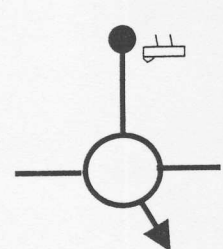
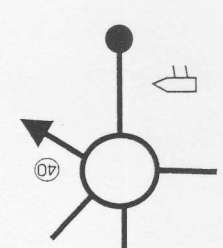
Distance		Description	Instruction
Total	Inter		
22.79	1.60		LLANERFYL
26.57	3.78		MEIFOD A495
30.24	3.67		MEIFOD LLANSANTFFRAID-YM-MECHAIN
32.25	2.01		MEIFOD
38.30	6.05		LLANSANTFFRAID-YM-MECHAIN
38.44	0.14		



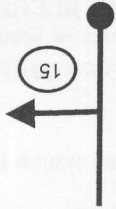
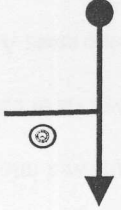
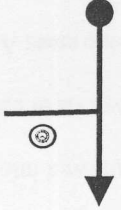
From : SERVICE B - DOLGELLAU - MC4		To : FINISH - SHREWSBURY LIVESTOCK MARKET	
Distance	Total		Inter
	Description		
38.55	0.11	38.61	13
Care - rally cars from left			
38.61	0.06	38.61	14
Rally car wash on right			
41.63	3.02	41.63	15
<div style="border: 1px solid black; padding: 5px; display: inline-block;">                     Oswestry A495(A483) Shrewsbury                 </div>			
43.72	2.09	43.72	16
<div style="border: 1px solid black; padding: 5px; display: inline-block;">                     Knockin B4396 Shrewsbury (A5)                 </div>			
47.03	3.31	47.03	17
<div style="border: 1px solid black; padding: 5px; display: inline-block;">                     KNOCKIN                 </div>			
49.35	2.32	49.35	18
<div style="border: 1px solid black; padding: 5px; display: inline-block;">                     Dovaston Kinerly                 </div>			

From : SERVICE B - DOLGELLAU - MC4  
 To : FINISH - SHREWSBURY LIVESTOCK MARKET

Distance	Total		Instruction
	Inter		
49.65	0.30		
50.14	0.49		SHOTATTON CROSS ROADS
50.41	0.27		Ruyton XI Towns Baschurch B4397
52.29	1.88		
54.28	1.99		Baschurch
54.61	0.33		Shrewsbury Bromere Heath

From : SERVICE B - DOLGELLAU - MC4		To : FINISH - SHREWSBURY LIVESTOCK MARKET	
Distance	Total		Inter
	Inter		
Description	Instruction		
	55.42	0.81	
	58.54	3.12	
	59.11	0.57	
	61.17	2.06	
	61.82	0.65	
	62.38	0.56	
			End of Management Service
			Shrewsbury A5112
			All through routes
			All through routes A5124
			Hartscott Shrewsbury
			BROMERE HEATH HARLSCOTT
			Shrewsbury



From : SERVICE B - DOLGELLAU - MC4		To : FINISH - SHREWSBURY LIVESTOCK MARKET	
Distance	Total		Inter
	62.85	0.47	
	Description 		
	Instruction Turn right before the Land Rover garage.		
	Description 		
	Instruction Pass through the final control and park in Livestock Market.		
	62.91	0.06	
	Description 		
	Instruction Pass through the final control and park in Livestock Market.		
			32

## NOTES FOR SERVICE CREWS

Read these instructions carefully, and exercise care and courtesy when driving through towns and villages on route. Each registered Service Vehicle is issued with a Rally Service Plate which must be affixed to the vehicle's windscreen. This plate will bear the letter 'S' and a number corresponding to that of the competitor receiving the Service Pack where practical. Each Management vehicle will have similar plate but bearing the prefix 'M', to be fixed to the vehicle and be on display at all times.

Service Crews and Management Crews **MUST** follow the instructions given regarding Service Areas and the route between them. Any Competitor whose Service or Management Vehicle is *observed* in an OUT OF BOUNDS area will be penalised 10 minutes for the first offence and by **EXCLUSION** from the results for the second offence; any Competitor *receiving assistance* from a Service or Management Vehicle in an OUT OF BOUNDS area will be **EXCLUDED** on the first offence (see Art.17.8).

All the above vehicles will be allowed into the main Service Area.

Time Controls are situated at the exit of each main service area and service crews must follow the instructions of marshals at these controls. Regrouping will operate in service areas A and B, to close up any gaps and keep the rally together as much as possible. Judges of Fact will be patrolling the road sections and service crews are reminded that their associated competing car may be penalised for any infringement of the servicing regulations - including excessive noise, bad driving manners, etc. (see Art. 17.6).

In the event of their competitor retiring within a special stage, service crews may wait at the start of the stage until it closes and they will then be allowed to enter to retrieve the car under the instruction of the stage commander.

As usual the various Police Authorities will be observing the Rally and speed checks may be expected during the event.

### SERVICING & SERVICE AREA

Competitors are reminded that they are responsible for the conduct of their service crews. Servicing by Service Vehicles with a 'Service Plate' is **ONLY** permitted in the **official service area**, which is located as below. N.B. **ONLY** vehicles registered with the organisers and visibly displaying their Service Plate will be allowed to enter the service area.

### NO RALLY PLATE - NO ENTRY

### SERVICE LOCATION FIRST CAR DUE TIME ALLOWED

	A	B
DOLGELLAU	10.20 hrs.	12.40 hrs.
MR 124/735181 <sup>1/2</sup>		
DOLGELLAU	Variable between 20 & 40minutes	Variable between 20 & 40minutes

Servicing in Farmers Mart complex. Obey Service Vehicle Route.

### FACILITIES AVAILABLE

Hot food and drinks will be available as well as male & female toilets.

### SERVICE VEHICLE ROUTE

Service vehicles are required to follow the designated route between the service areas as described below.

START TO SERVICE A - DOLGELLAU (40 Miles) MAP 124 / 125 / 126

First car due at about 10.20 hrs.

Leave the Church Street Car Park in Welshpool by turning left on Mill Lane  
In 0.06 miles turn left at 'T' junction with main road

In 0.11 miles turn right on B4381 towards Dolgellau and Machynlleth  
 In 0.54 miles, straight on at island to Dolgellau on A458  
 Remain on A458 after 17.15 miles passing turning to Stage 1.  
 After a further 11.14 miles turn right at the island on to A470 to Dolgellau  
 In 10.74 miles turn right on to A494 to Bala  
 In 0.10 miles turn left into the Farmers Mart Service Area.

**SERVICE B - DOLGELLAU -**

**TO FINISH AT SHREWSBURY LIVESTOCK MARKET**

(61.5 Miles) MAP 135/136/126

First car due about 16.30 hrs.

Exit Service Area and at A494 turn right.  
 After 0.1 miles turn left onto A470 to Llangurig & Machynlleth  
 After another 2.75 miles keep left on A470 to Llangurig  
 After another 8 miles turn left at island onto A458 to Welshpool  
 After another 16 miles turn left onto A 495 to Oswestry & Oswestry  
 After another 15.75 miles keep right on A495 to Oswestry  
 After another 2 miles cross A483 taking B4396 to Knockin  
 Continue on B4396 through Knockin  
 1.5 miles beyond Knockin keep right on B4396  
 After 0.8 miles turn left onto A5  
 After another 0.75 miles turn right B4397 towards Ruyton-XI-Towns  
 After another 4 miles turn right in Baschurch towards Shrewsbury and Bomere Heath  
 After another 0.75 miles turn left at the island to Shrewsbury  
 After 3 miles turn left towards Bomere Heath and Harlscott  
 In 0.5 miles turn right at the 'T' junction towards Harlscott  
 In 2 miles take the second exit from the island for 'All Routes A5124'  
 Straight on at the next island 'All through routes'  
 Take the fourth exit from the next island 'Shrewsbury'  
 In 0.45 miles turn right before the Land Rover dealership  
 Follow the arrows to the Livestock Market.

**ALL OTHER ROADS ARE OUT OF BOUNDS TO SERVICE VEHICLES DURING THE PERIOD OF THE RALLY.**

The penalty for servicing other than at the official sites or for service vehicles being observed other than on the official route detailed above is EXCLUSION. Judges of Fact have been appointed to look for offenders both on and off route.

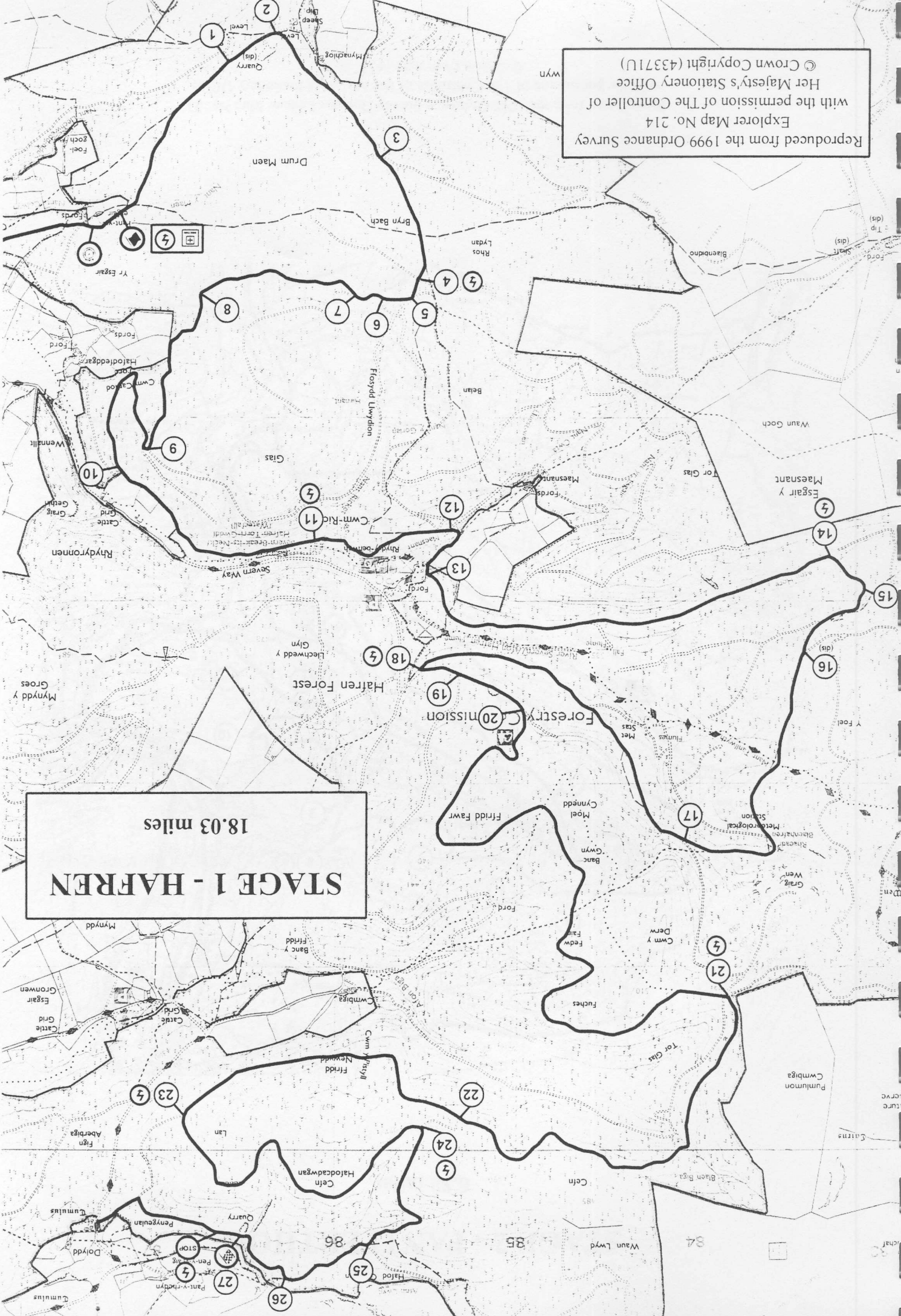
**SUMMARY OF COMPETITOR'S RALLY MILEAGES**

Rally Section	Road Miles	Stage Miles	No. Of Stages
Start to Service A	36	25	2
Service A to Service B	40	27	2
Service B to Finish	43	25	3





Reproduced from the 1999 Ordnance Survey Explorer Map No. 214  
with the permission of The Controller of  
Her Majesty's Stationery Office  
© Crown Copyright (43371U)

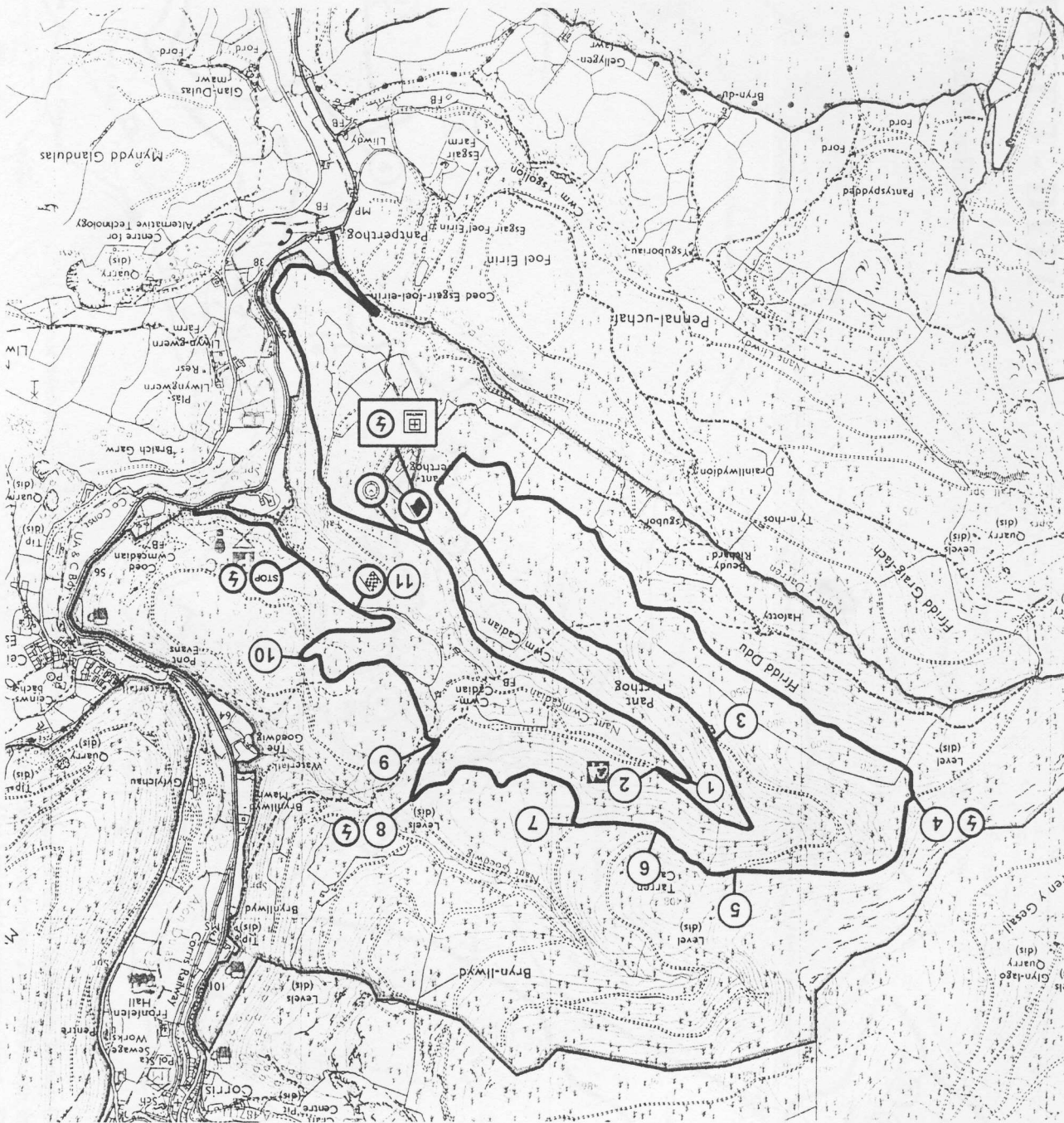


**STAGE 1 - HAFREN**  
18.03 miles



# STAGE 2 - PANTPERTHOG

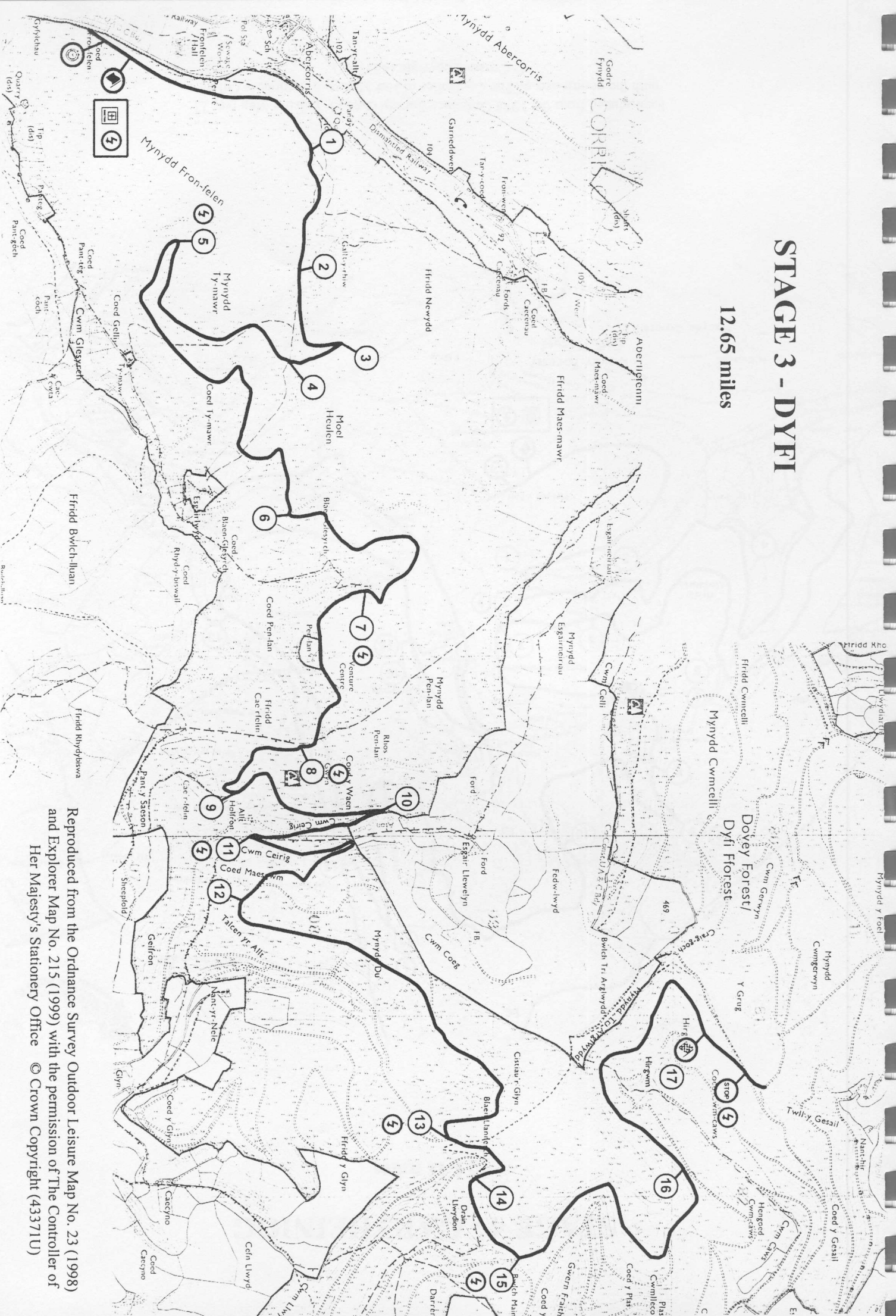
6.88 miles





# STAGE 3 - DYFI

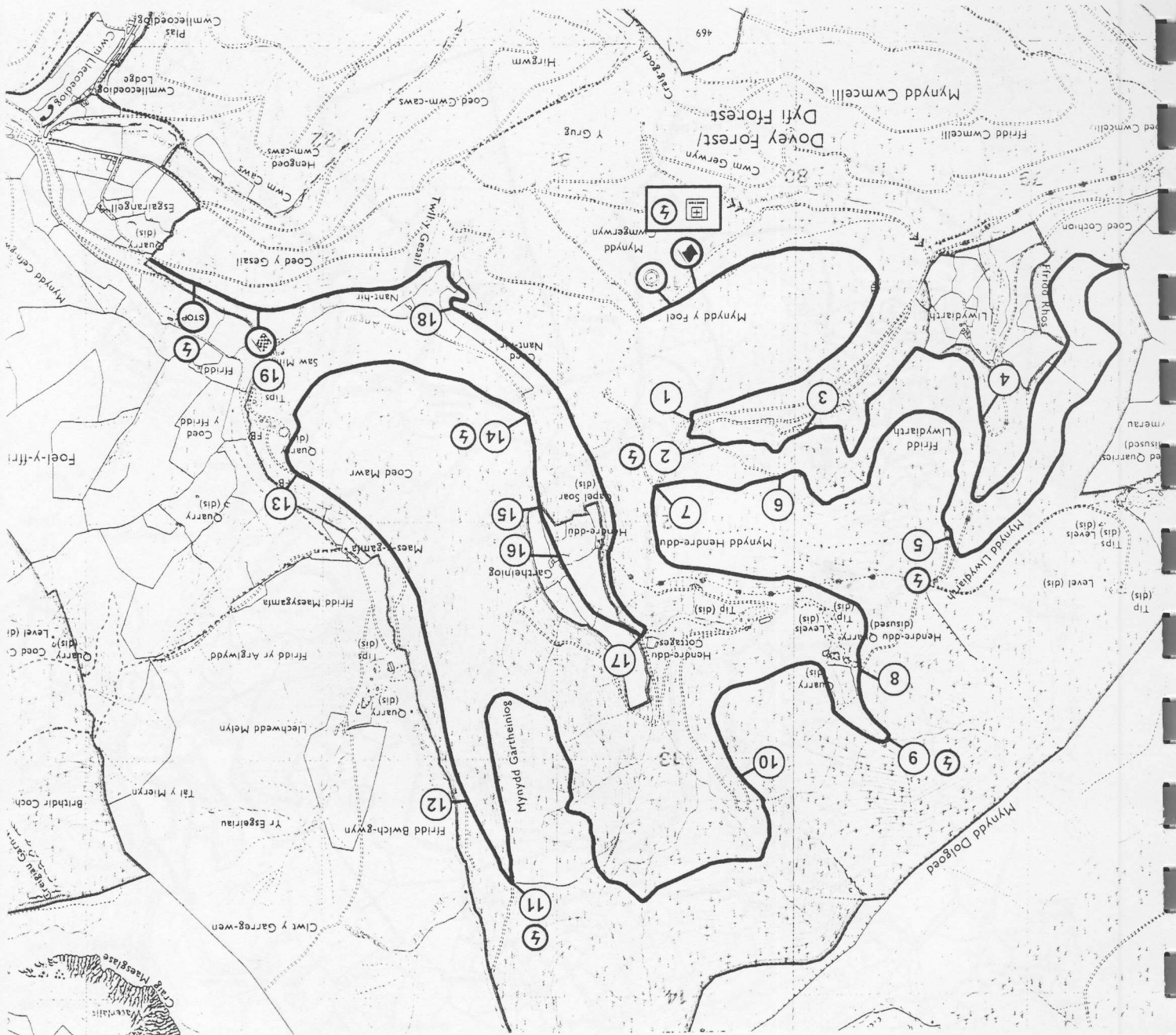
12.65 miles



Reproduced from the Ordnance Survey Outdoor Leisure Map No. 23 (1998) and Explorer Map No. 215 (1999) with the permission of The Controller of Her Majesty's Stationery Office © Crown Copyright (43371U)

# STAGE 4 - GARTHAINIOG

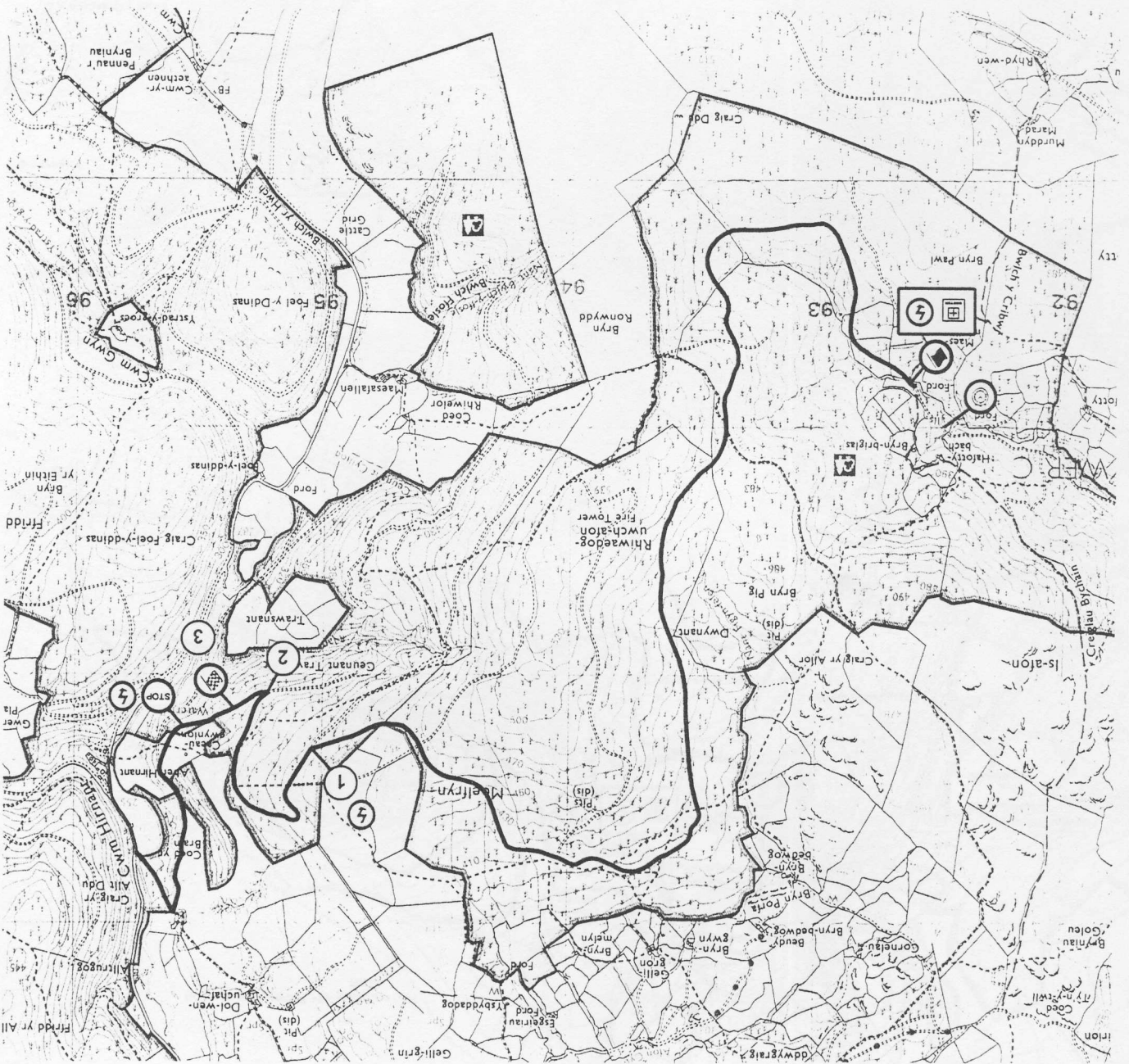
14.41 miles





# STAGE 5 - LLANGYWER

4.32 miles



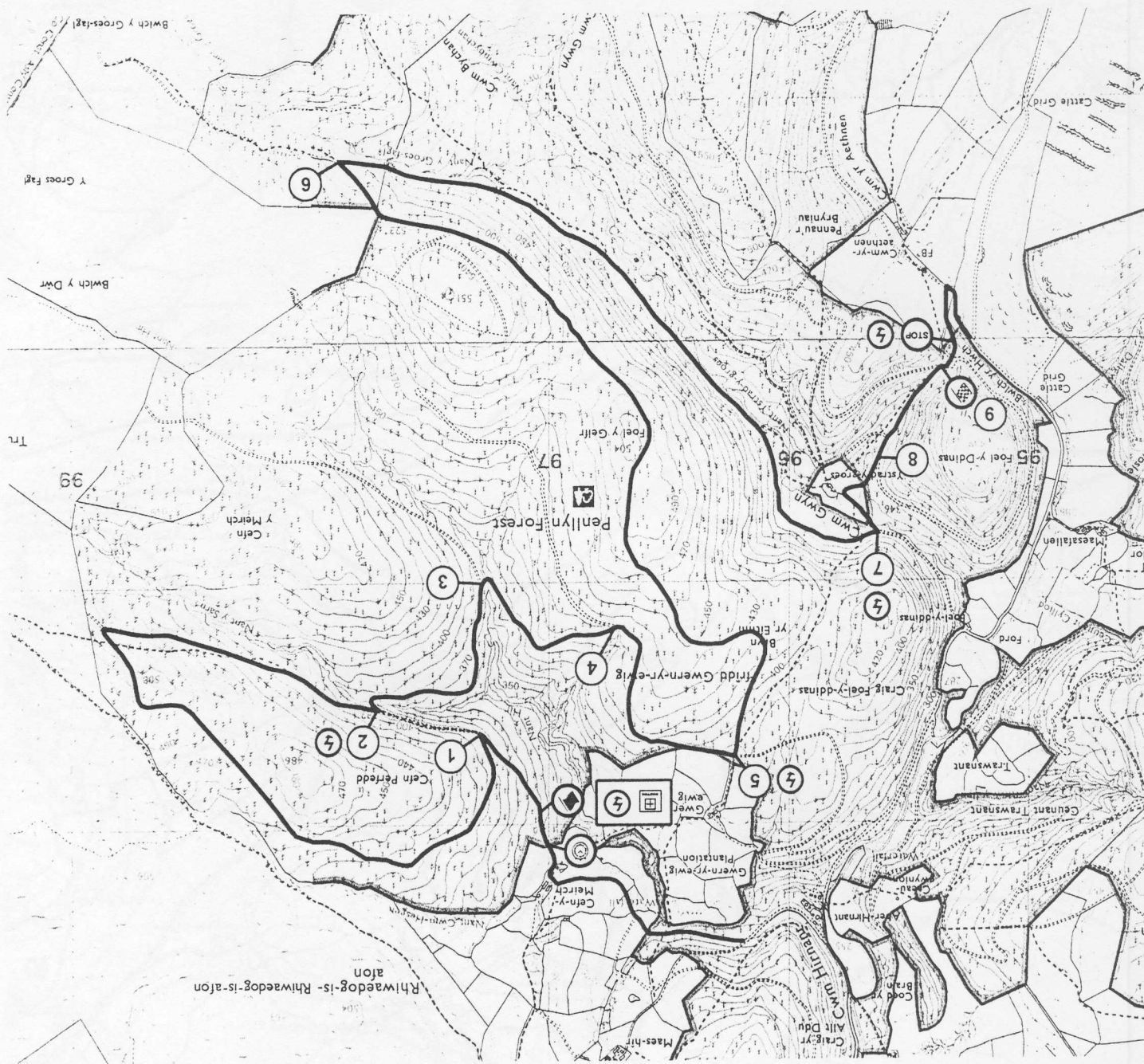
Reproduced from the 1998 Ordnance Survey Outdoor Leisure Map No. 23  
with the permission of The Controller of Her Majesty's Stationery Office

© Crown Copyright (43371U)



# STAGE 6 - PENLLYN

8.75 miles



# STAGE 7 - DYFNANT

10.85 miles

